

Description

The DIODES™ PAM8906 is a piezoelectric sounder driver with built-in boost converter, capable of driving a piezo sounder with up to 36V_{PP} output. With integrated boost converter, the PAM8906 can provide an optimized solution with higher Sound Pressure Level (SPL) for louder output sound, and lower quiescent current along with auto turn-on/off feature for extended battery runtime. PAM8906 provides clear benefits for battery-operated piezoelectric sounder or alarm related applications.

With the integrated boost converter and unique piezo sounder driver technology, PAM8906 provides small inrush current, low EMI and yet delivers high system efficiency. The integrated boost converter switches at a fixed frequency of 1.8MHz and as a result, it can operate with a small 0.47μH inductor.

The PAM8906 comes in three different Output Voltage (V_{OUT}) options: 10V, 12V, and 18V.

The PAM8906 can operate with an external PWM input or operate in self-excitation mode (only 10V and 12V supported in this mode) for various piezo sounder applications. It also features thermal shutdown protection, over-current protection, over-voltage protection and under-voltage-lockout protection to ensure safe system operation.

The PAM8906 is available in MSOP-10 package for smaller PCB footprint and higher SMT yield.

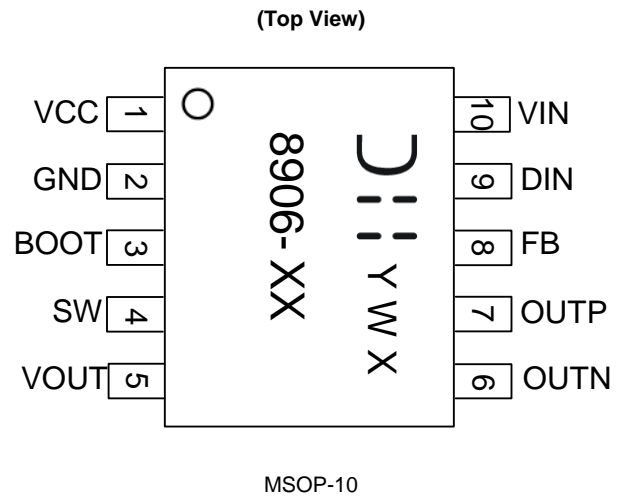
Features

- Supply Voltage Range from 2.1V to 5.5V
- Intergraded Boost Converter with V_{OUT} = 10V, 12V or 18V
- Automatic Shutdown and Wake-Up Control
- Support External PWM Input or Self-Excitation Mode
- Low Operating Current, with Shutdown Current < 1μA
- High-Speed Driver Designed with Very Short Turn-On/Turn-Off
- High-Impedance Output in Shutdown Mode
- Available in Space-Saving MSOP-10 Packages
- **Totally Lead-Free & Fully RoHS Compliant (Notes 1 & 2)**
- **Halogen and Antimony Free. "Green" Device (Note 3)**
- **For automotive applications requiring specific change control (i.e. parts qualified to AEC-Q100/101/104/200, PPAP capable, and manufactured in IATF 16949 certified facilities), please [contact us](mailto:contact@diodes.com) or your local Diodes representative.**

<https://www.diodes.com/quality/product-definitions/>

- Notes:
1. No purposely added lead. Fully EU Directive 2002/95/EC (RoHS), 2011/65/EU (RoHS 2) & 2015/863/EU (RoHS 3) compliant.
 2. See <https://www.diodes.com/quality/lead-free/> for more information about Diodes Incorporated's definitions of Halogen- and Antimony-free, "Green" and Lead-free.
 3. Halogen- and Antimony-free "Green" products are defined as those which contain <900ppm bromine, <900ppm chlorine (<1500ppm total Br + Cl) and <1000ppm antimony compounds.

Pin Assignments

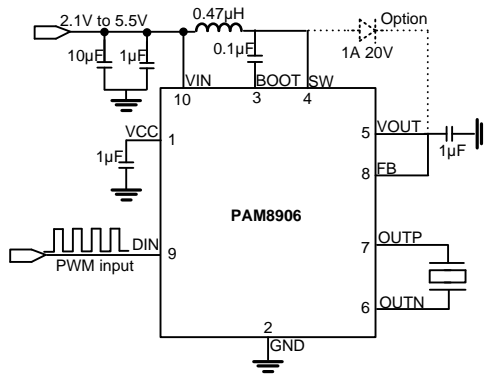


Applications

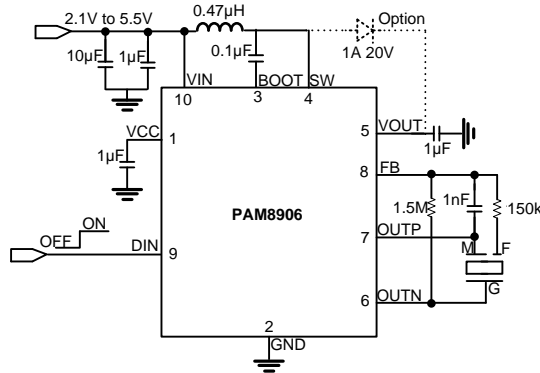
- Smoke / gas / water alarms, or industrial security alarms
- Air humidifiers or ultrasonic related piezo driver applications
- Security devices, home appliances
- Haptic feedbacks

Typical Application Circuits

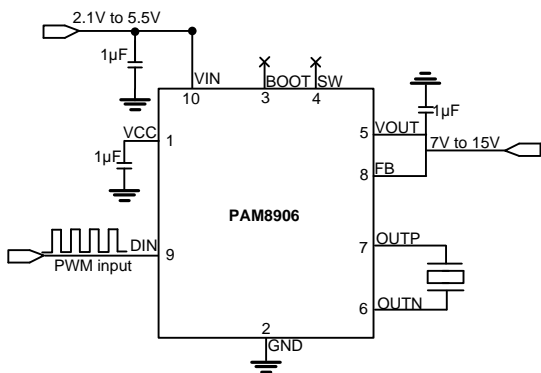
(I) External PWM Input:



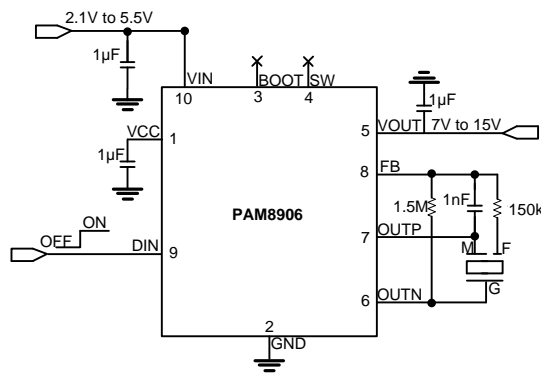
(II) Self-Excitation Mode for Applications like Smoke/Gas Alarms (10V and 12V Versions Only):



(III) 9V Battery Alarms (Showing the 10V Version):



External PWM Drive

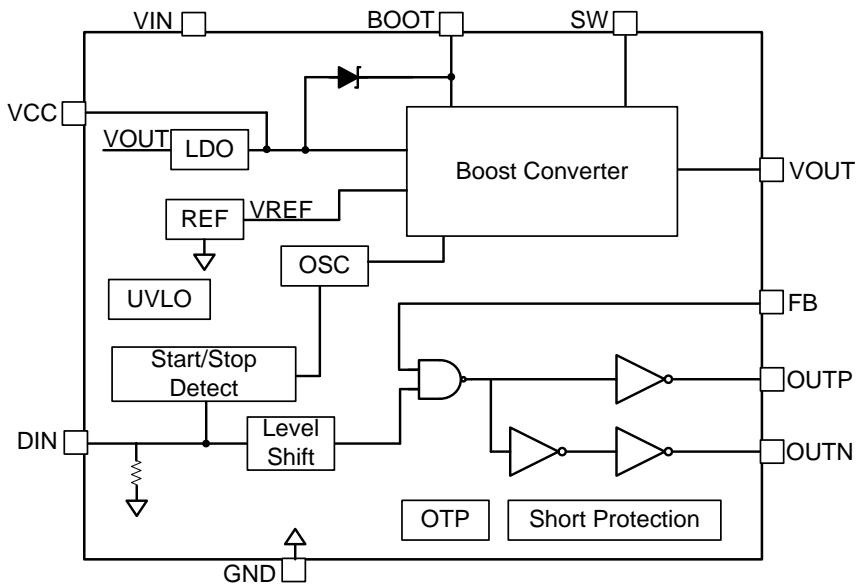


Self-Excitation Mode with DIN as High to Enable

Pin Descriptions

Pin Number	Pin Name	I/O/P	Function
1	VCC	O	Internal LDO Output
2	GND	P	Ground
3	BOOT	P	Bootstrap Capacitor Connection
4	SW	I/O	Switch Pin of the Boost Converter. Connect to External Inductor
5	VOUT	O	Boost Output
6	OUTN	O	Negative Sounder Output
7	OUTP	O	Positive Sounder Output
8	FB	I	Feedback Pin for 3 Terminal Sounder. Connect to VOUT if Using 2 Terminal Sounder
9	DIN	I	PWM Signal Input
10	VIN	I	Battery Supply Input

Functional Block Diagram



Absolute Maximum Ratings (@T_A = +25°C, unless otherwise specified.)

Symbol	Parameter	Value	Unit
V _{IN}	Supply Voltage	-0.3 to 6.0	V
V _{IH}	High-Level Input Voltage	-0.3 to 6.0	V
V _{IL}	Low-Level Input Voltage	-0.3 to 6.0	V
OUTP, OUTN, V _{OUT}	High Voltage Pins	-0.3 to 25	V
T _A	Operating Free-Air Temperature Range	-40 to +125	°C
T _J	Operating Junction Temperature Range	-40 to +150	°C
T _{STG}	Storage Temperature Range	-65 to +150	°C

Thermal Information

Parameter	Symbol	Package	Maximum	Unit
Thermal Resistance (Junction to Ambient)	θ _{JA}	MSOP-10	104	°C/W
Thermal Resistance (Junction to Case)	θ _{JC}	MSOP-10	16	°C/W

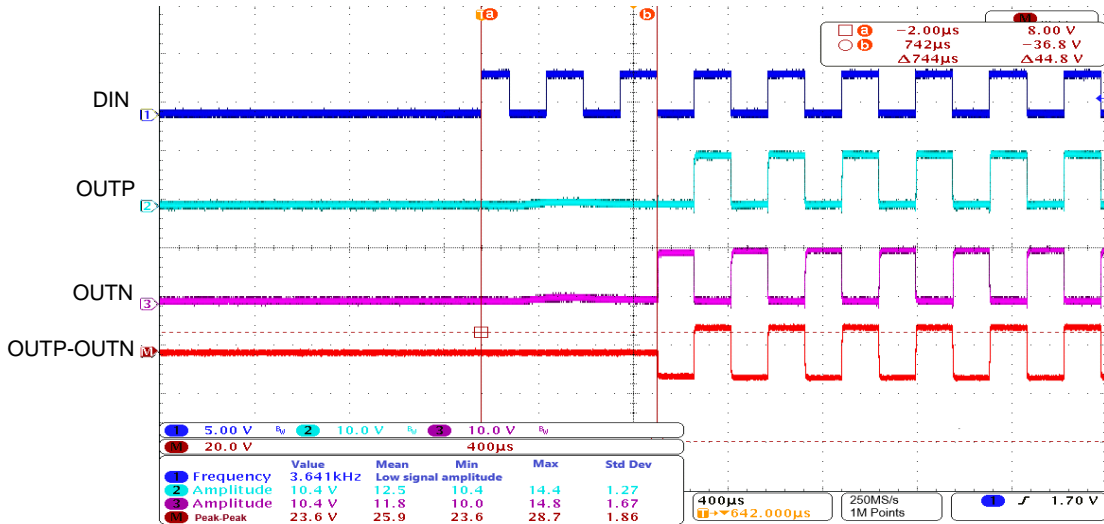
Electrical Characteristics (@T_A = +25°C, V_{IN} = 3.0V, C_{PIEZO} = 33nF, f_{DIN} = 3.2kHz, unless otherwise specified.)

Symbol	Parameter	Conditions	Min	Typ	Max	Unit
V _{IN}	Supply Voltage	—	2.1	—	5.5	V
V _{OUT}	Boost Output Voltage	Three Options	—	10/12/18	—	V
I _{DD1}	Operating Current 1	C _{PIEZO} = No Load, f _{DIN} = 3.2kHz, V _{OUT} = 12V	—	1.3	—	mA
I _{DD2}	Operating Current 2 (Note 4)	C _{PIEZO} = 33nF, f _{DIN} = 3.2kHz, V _{OUT} = 12V	—	27	—	mA
I _{SD}	Shutdown Current	V _{DIN} = 0V	—	0.01	1	µA
f _{DIN}	Piezo Input Signal Frequency (Note 5)	—	0.2	—	10	kHz
C _{Load}	Max Piezo Loading	—	—	—	150	nF
f _{OSC}	Boost Switching Frequency	—	—	1.8	—	MHz
I _{OCP}	Cycle-by-Cycle Over Current Protection	—	—	1	—	A
R _{DS(ON)}	Piezo Driver On-State Resistance	High Side, I = 100mA	—	7.5	—	Ω
		Low Side, I = 100mA	—	3	—	Ω
t _{ON}	V _{OUT} Start Delay Time	From DIN Signal High to 90% V _{OUT} Steady State	—	770	—	µs
t _{OFF}	Shutdown Delay Time	From DIN = H- > L, V _{OUT} to GND	—	100	—	ms
V _{IH}	Control Terminal Voltage H	DIN Pin	1.5	—	V _{IN}	V
V _{IL}	Control Terminal Voltage L	DIN Pin	0	—	0.4	V
I _{IH}	Control Terminal Current H	DIN = V _{IN}	—	—	10	µA
I _{IL}	Control Terminal Current L	DIN = 0	—	0.01	1	µA
OTP	Over Temperature Threshold	—	—	+150	—	°C
—	Over Temperature Protection Hysteresis	—	—	+30	—	°C

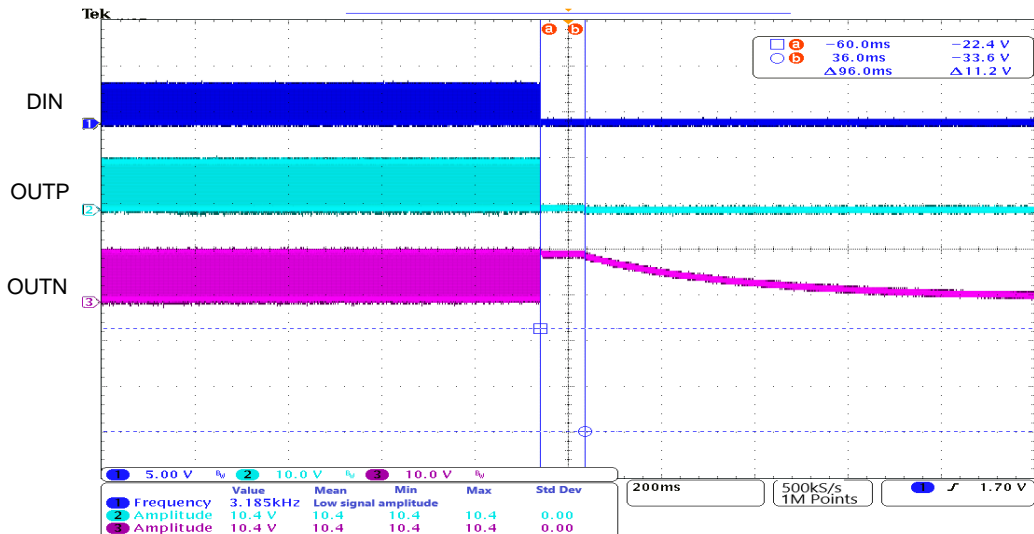
Notes: 4. Operating Current is a function of Piezo Load Capacitance and Input Frequency. With external Schottky diode, power dissipation can be reduced by 20%.
5. For Ultrasonic applications, the input frequency can be over 100kHz, but the Piezo Sounder capacitance ≤ 10nF.

Performance Characteristics ($V_{DD} = 3V$, $f_{DIN} = 3.2kHz$, $V_{OUT} = 10V/12V/18V$, $C_{LOAD} = 33nF$, unless otherwise specified.)

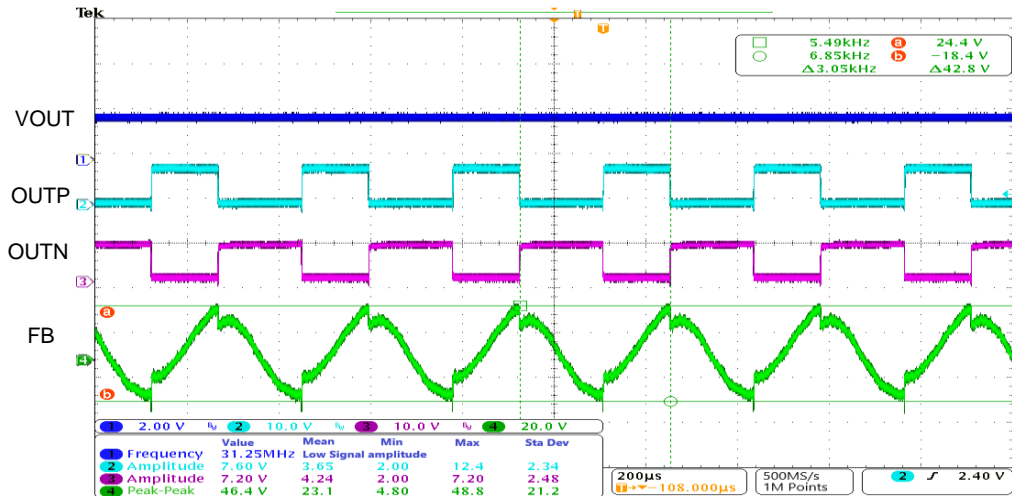
1. Turn-On Waveform



2. Turn-Off Waveform



3. Self-Excitation Waveform



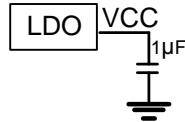
Application Information

Overview

The PAM8906 is a piezo sounder driver with integrated boost converter. This versatile device is capable of driving piezo sounder for a variety of applications, including smoke/gas alarm, air humidifier and haptic-feedback related applications. PAM8906 comes in three different Boost output voltage versions: 10V, 12V, and 18V. A typical start-up time of 770 μ s makes the PAM8906 an ideal piezo driver with fast response. PAM8906 has a built-in thermal overload protection, current limit and various other protection features to prevent the device from damage when overdriven.

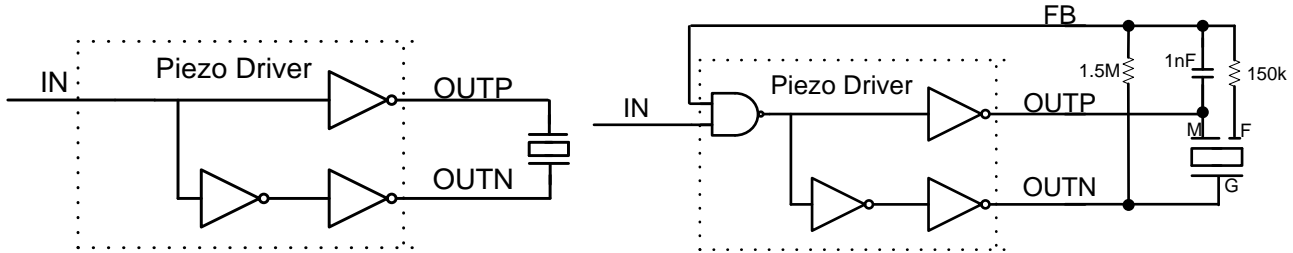
LDO Regulator

The PAM8906 has a built-in internal LDO regulator to supply 5V to the internal boost and piezo driver blocks. It is recommended to add 1 μ F capacitor at pin 1 VCC (LDO).



Piezo Driver

As illustrated below, PAM8906 has a built-in Piezo driver circuitry to enable easy system configuration for driving a two-terminal or three-terminal piezo sounder with few external components. For three-terminal based piezo sounder configuration (supported only by 10V and 12V versions), the external resistance might vary by piezo sounder manufacturer's suggestion. Please consult with Diodes Incorporated's technical support team or field representative for any further assistance, if necessary.



DIN Control

DIN pin serves two functions:

1. Automatic Wake-Up and Shutdown Control

When DIN is set above V_{IH} or provided with a PWM input, PAM8906's Boost and Piezo driver block will be enabled and the Boost output will be ready in 770 μ s (Typ) followed by PWM output on OUTP and OUTN pins.

When DIN is set below V_{IL} the piezo sounder driver will stop immediately.

When DIN is set below V_{IL} for longer than 100ms (Typ), PAM8906's Boost and Piezo driver will be disabled and the device automatically enters shutdown mode. PAM8906's shutdown current is less than 1 μ A under this mode.

2. External PWM Control

For external PWM configuration, DIN pin also serves as the PWM input pin. In this configuration, PWM input is amplified and driven to OUTP and OUTN pins.

Application Information (continued)

Boost Regulator

The PAM8906 boost regulator employs conventional current-mode control methodology with the following features:

- **Under-Voltage Lockout (UVLO):** When the Boost power supply V_{IN} drops below UVLO value (1.5V Typ), the Boost regulator will be switched off.
- **Over Temperature Protection (OTP):** When PAM8906 die temperature is higher than OTP threshold (+150°C Typ), the Boost regulator will be switched off. Hysteresis is set at +30°C.
- **VOUT Under-Voltage (UV) Protection:** When the Boost regulator output voltage is lower than the pre-set threshold, it will trigger VOUT UV protection, and the device will go to hiccup mode in order to reduce power supply current.
- **VOUT Over-Voltage (OV) Protection:** When the Boost regulator output voltage is higher than the pre-set threshold, it will trigger VOUT OV protection, and the device will switch off until VOUT OV condition is removed.
- **Soft-Start:** The Boost regulator has a typical soft-start time of 770 μ s. Soft-start helps to reduce in-rush currents and voltage over-shoot at start-up.
- **Over Current Protection (OCP):** The Boost regulator has a built-in cycle-by-cycle over-current protection.

PAM8906 has designed the boost regulator as current-mode controller with two control loops, which work together in maintaining a constant output voltage and supply the required load current. The inner current control loop provides cycle-by-cycle current limiting, while the output control loop provides output voltage control. When the boost converter turns on with the DIN input, the NMOS switch will turn on and the inductor current ramps up to its peak value, approximately 1A nominally.

The current comparator turns off the NMOS switch for a fixed period of time to allow energy to be transferred to the output capacitor. When the voltage on the output capacitor equals or exceeds the desired output voltage, the current loop will disable until the load discharges the output capacitor to a voltage lower than the desired output voltage. Every time the output voltage falls below the desired value, the switching cycle starts and continues until the desired value is reached. The constant switching resulting in the charging and discharging of the output capacitor causes a ripple on the output voltage. The ripple on the output voltage depends on the external component parameters, such as the value of external capacitor, its ESR etc.

In PAM8906, when logic high asserted on the DIN pin, the boost regulator will be enabled. However, the Piezo driver output cannot be enabled until the output voltage reaches its nominal set point (total soft start time around 770 μ s). This ensures the output voltage rises quickly to the necessary drive voltage for the Piezo.

The boost regulator is optimized to work with the external components as shown in the *Typical Application Circuits*. It is crucial to select an appropriate inductor value for the Boost converter to operate efficiently with the expected transient behavior and loop stability. Typical, an inductor with saturation current rating of 2A is recommended.

The inductor selection for PAM8906 depends on the V_{IN} value and the V_{OUT} version chosen for a given application. Although minimum V_{IN} is 2.1V, if the input supply droops down to 1.8V, this can still be supported with a lower inductor value. Refer to the table below:

—	Recommend Inductor		
	$L@V_{OUT} = 10V$	$L@V_{OUT} = 12V$	$L@V_{OUT} = 18V$
$V_{IN} \text{ Min}$			
1.8V	0.47 μ H	0.22 μ H	0.22 μ H
2.1V	1.0 μ H	0.47 μ H	0.47 μ H

Application Information (continued)

Capacitor Selection Guide

For external capacitors, use low ESR ceramic capacitors. It is strongly recommended to place them at the same layout layer as PAM8906.

- **Power Supply Decoupling Capacitor – VIN (Pin 10)**

Capacitor Value: $1\mu\text{F} + 10\mu\text{F}$

Voltage Rating: $3 \times \text{VIN}$

Capacitor Layout: place the $1\mu\text{F}$ capacitor close to VIN (Pin 10), and $10\mu\text{F}$ close to the inductor

- **External LDO Capacitor – VCC (Pin 1)**

Capacitor Value: $1\mu\text{F}$

Voltage Rating: 16V

Capacitor Layout: place the capacitor close to VCC (Pin 1)

- **Bootstrap Capacitor – BOOT (Pin 3)**

Capacitor Value: $0.1\mu\text{F}$

Voltage Rating: 25V or higher

Capacitor Layout: place the capacitor close to BOOT (Pin 3)

- **Boost Output Capacitor – VOUT (Pin 5)**

Capacitor Value: $1\mu\text{F}$ to $2.2\mu\text{F}$, for smoke alarm application, if loading higher than 100nF , put a $10\mu\text{F}$ cap at the VOUT pin.

Voltage Rating: $3 \times \text{VOUT}$

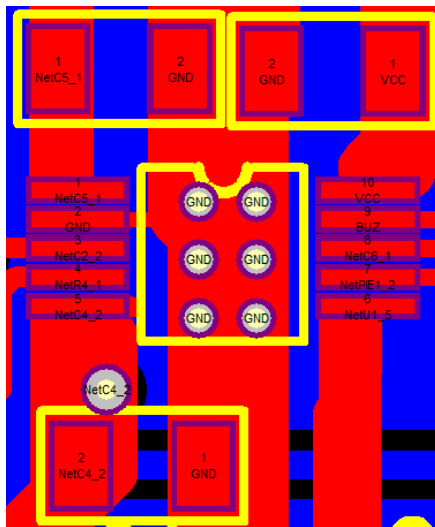
Capacitor Layout: place the capacitor close to VOUT (Pin 5)

Schottky:

- This is optional.
- Place between SW and VOUT.
- Schottky diode can help to reduce power consumption by approximately 20%.
- Use a 20V Schottky with 1A or greater current rating.

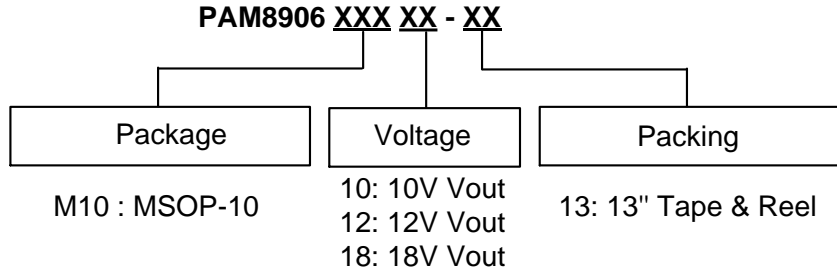
GND Layout Guideline

The GND layout is very important for PAM8906 to operate under optimal conditions. Suggested ground layout is illustrated below. Please consult with Diodes Incorporated's technical support team or field representative for any further assistance, if necessary.



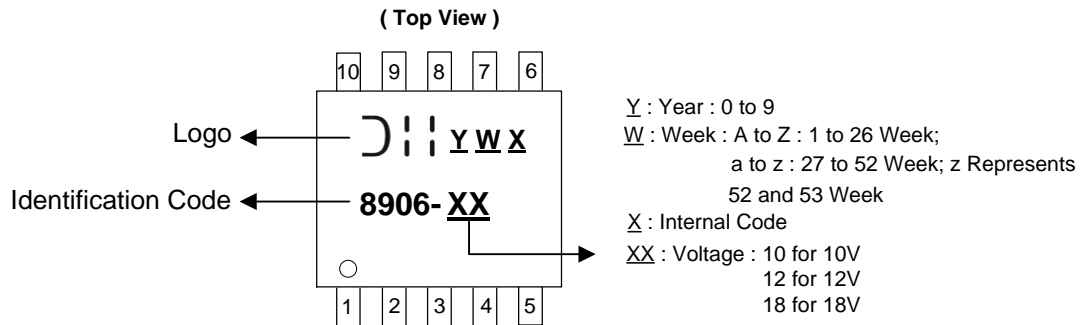
Connect GND (Pin 2) to the bottom of IC, then expand to VCC/VIN/VOUT's capacitor GND. Put more via on the other layer then connect to power GND.

Ordering Information



Part Number	Package	Voltage	Identification Code	Packing	
				Qty.	Carrier
PAM8906M1010-13	MSOP-10	10V	8906-10	2,500	13" Tape & Reel
PAM8906M1012-13	MSOP-10	12V	8906-12	2,500	13" Tape & Reel
PAM8906M1018-13	MSOP-10	18V	8906-18	2,500	13" Tape & Reel

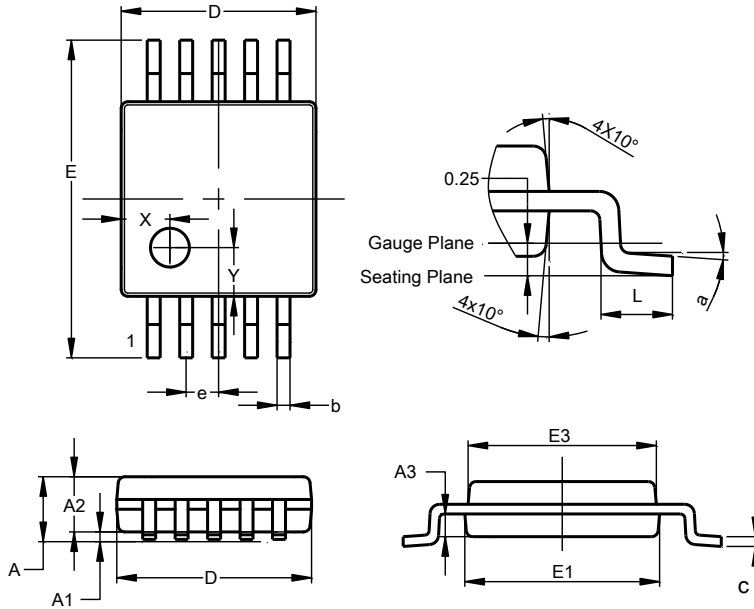
Marking Information



Package Outline Dimensions

Please see <http://www.diodes.com/package-outlines.html> for the latest version.

MSOP-10

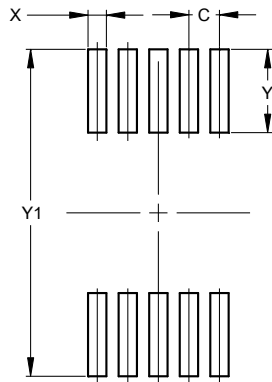


MSOP-10			
Dim	Min	Max	Typ
A	-	1.10	-
A1	0.05	0.15	0.10
A2	0.75	0.95	0.86
A3	0.29	0.49	0.39
b	0.17	0.27	0.20
c	0.08	0.23	0.15
D	2.95	3.05	3.00
e	-	-	0.50
E	4.80	5.00	4.90
E1	2.95	3.05	3.00
E3	2.85	3.05	2.95
L	0.40	0.80	0.60
X	--	--	0.750
Y	--	--	0.750
a	0°	8°	4°
All Dimensions in mm			

Suggested Pad Layout

Please see <http://www.diodes.com/package-outlines.html> for the latest version.

MSOP-10



Dimensions	Value (in mm)
C	0.50
X	0.30
Y	1.35
Y1	5.30

Mechanical Data

MSOP-10

- Moisture Sensitivity: Level 3 per J-STD-020
- Terminals: Finish – Matte Tin Plated Leads, Solderable per MIL-STD-202, Method 208 (e3)
- Weight: 0.026 grams (Approximate)

IMPORTANT NOTICE

1. DIODES INCORPORATED (Diodes) AND ITS SUBSIDIARIES MAKE NO WARRANTY OF ANY KIND, EXPRESS OR IMPLIED, WITH REGARDS TO ANY INFORMATION CONTAINED IN THIS DOCUMENT, INCLUDING, BUT NOT LIMITED TO, THE IMPLIED WARRANTIES OF MERCHANTABILITY, FITNESS FOR A PARTICULAR PURPOSE OR NON-INFRINGEMENT OF THIRD PARTY INTELLECTUAL PROPERTY RIGHTS (AND THEIR EQUIVALENTS UNDER THE LAWS OF ANY JURISDICTION).
2. The Information contained herein is for informational purpose only and is provided only to illustrate the operation of Diodes' products described herein and application examples. Diodes does not assume any liability arising out of the application or use of this document or any product described herein. This document is intended for skilled and technically trained engineering customers and users who design with Diodes' products. Diodes' products may be used to facilitate safety-related applications; however, in all instances customers and users are responsible for (a) selecting the appropriate Diodes products for their applications, (b) evaluating the suitability of Diodes' products for their intended applications, (c) ensuring their applications, which incorporate Diodes' products, comply the applicable legal and regulatory requirements as well as safety and functional-safety related standards, and (d) ensuring they design with appropriate safeguards (including testing, validation, quality control techniques, redundancy, malfunction prevention, and appropriate treatment for aging degradation) to minimize the risks associated with their applications.
3. Diodes assumes no liability for any application-related information, support, assistance or feedback that may be provided by Diodes from time to time. Any customer or user of this document or products described herein will assume all risks and liabilities associated with such use, and will hold Diodes and all companies whose products are represented herein or on Diodes' websites, harmless against all damages and liabilities.
4. Products described herein may be covered by one or more United States, international or foreign patents and pending patent applications. Product names and markings noted herein may also be covered by one or more United States, international or foreign trademarks and trademark applications. Diodes does not convey any license under any of its intellectual property rights or the rights of any third parties (including third parties whose products and services may be described in this document or on Diodes' website) under this document.
5. Diodes' products are provided subject to Diodes' Standard Terms and Conditions of Sale (<https://www.diodes.com/about/company/terms-and-conditions/terms-and-conditions-of-sales/>) or other applicable terms. This document does not alter or expand the applicable warranties provided by Diodes. Diodes does not warrant or accept any liability whatsoever in respect of any products purchased through unauthorized sales channel.
6. Diodes' products and technology may not be used for or incorporated into any products or systems whose manufacture, use or sale is prohibited under any applicable laws and regulations. Should customers or users use Diodes' products in contravention of any applicable laws or regulations, or for any unintended or unauthorized application, customers and users will (a) be solely responsible for any damages, losses or penalties arising in connection therewith or as a result thereof, and (b) indemnify and hold Diodes and its representatives and agents harmless against any and all claims, damages, expenses, and attorney fees arising out of, directly or indirectly, any claim relating to any noncompliance with the applicable laws and regulations, as well as any unintended or unauthorized application.
7. While efforts have been made to ensure the information contained in this document is accurate, complete and current, it may contain technical inaccuracies, omissions and typographical errors. Diodes does not warrant that information contained in this document is error-free and Diodes is under no obligation to update or otherwise correct this information. Notwithstanding the foregoing, Diodes reserves the right to make modifications, enhancements, improvements, corrections or other changes without further notice to this document and any product described herein. This document is written in English but may be translated into multiple languages for reference. Only the English version of this document is the final and determinative format released by Diodes.
8. Any unauthorized copying, modification, distribution, transmission, display or other use of this document (or any portion hereof) is prohibited. Diodes assumes no responsibility for any losses incurred by the customers or users or any third parties arising from any such unauthorized use.
9. This Notice may be periodically updated with the most recent version available at <https://www.diodes.com/about/company/terms-and-conditions/important-notice>

The Diodes logo is a registered trademark of Diodes Incorporated in the United States and other countries.
DIODES is a trademark of Diodes Incorporated in the United States and other countries.
All other trademarks are the property of their respective owners.
© 2022 Diodes Incorporated. All Rights Reserved.

www.diodes.com