

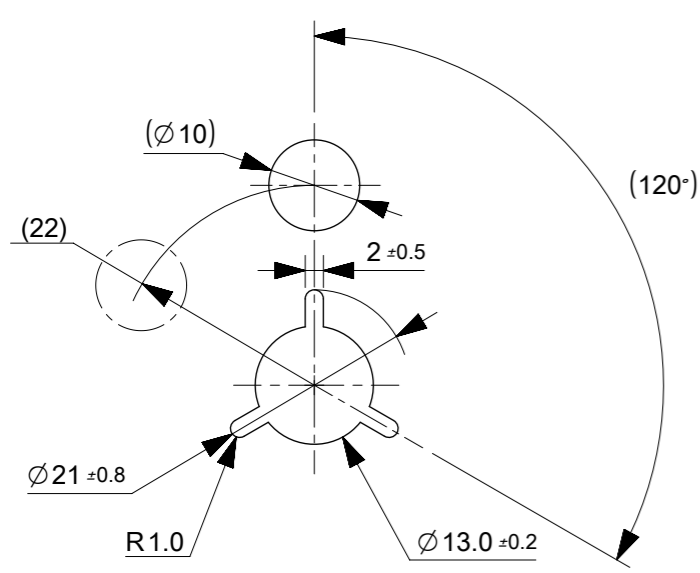
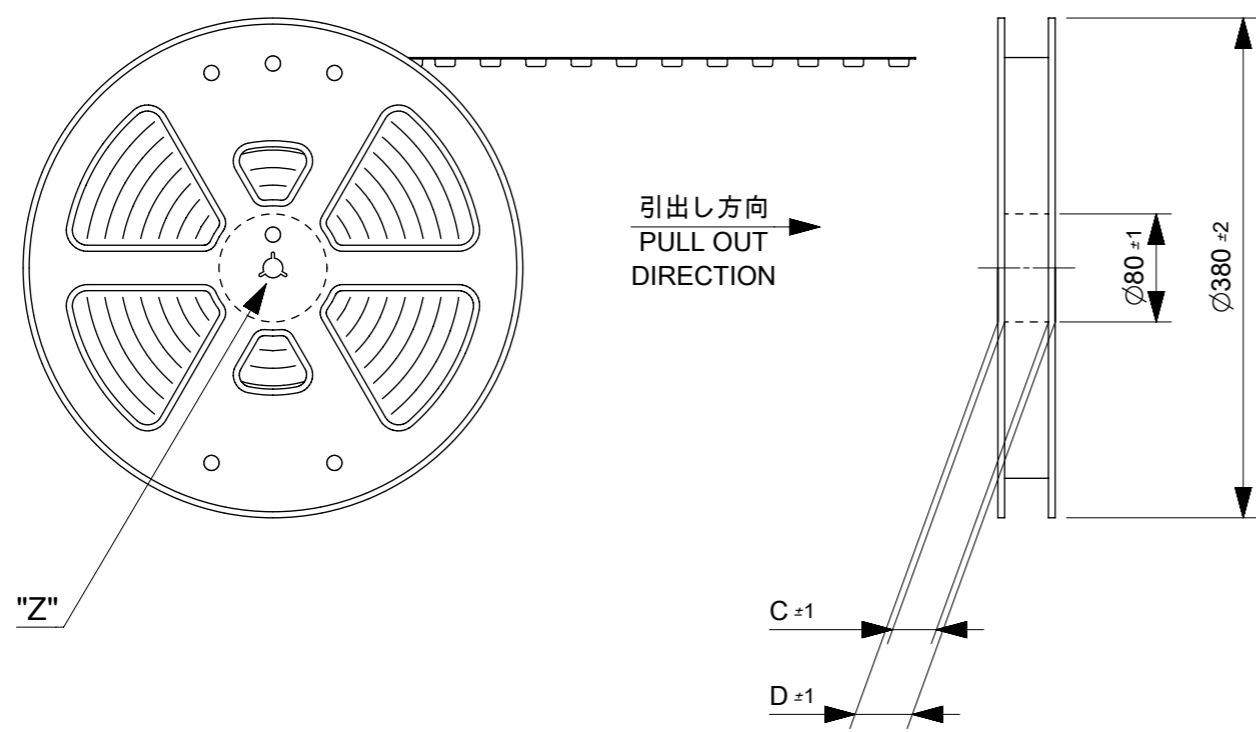
E

D

C

B

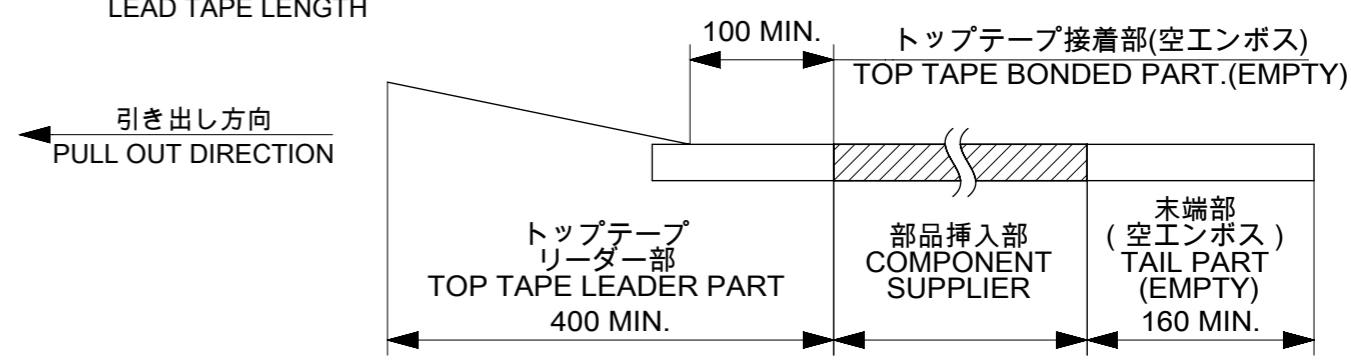
A



DETAIL "Z"

NOTES

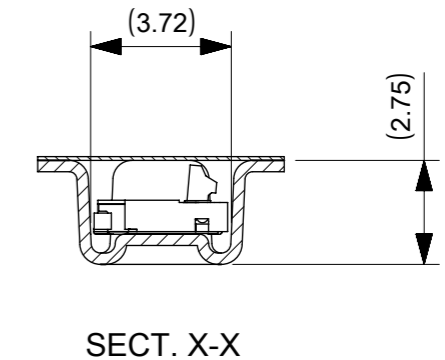
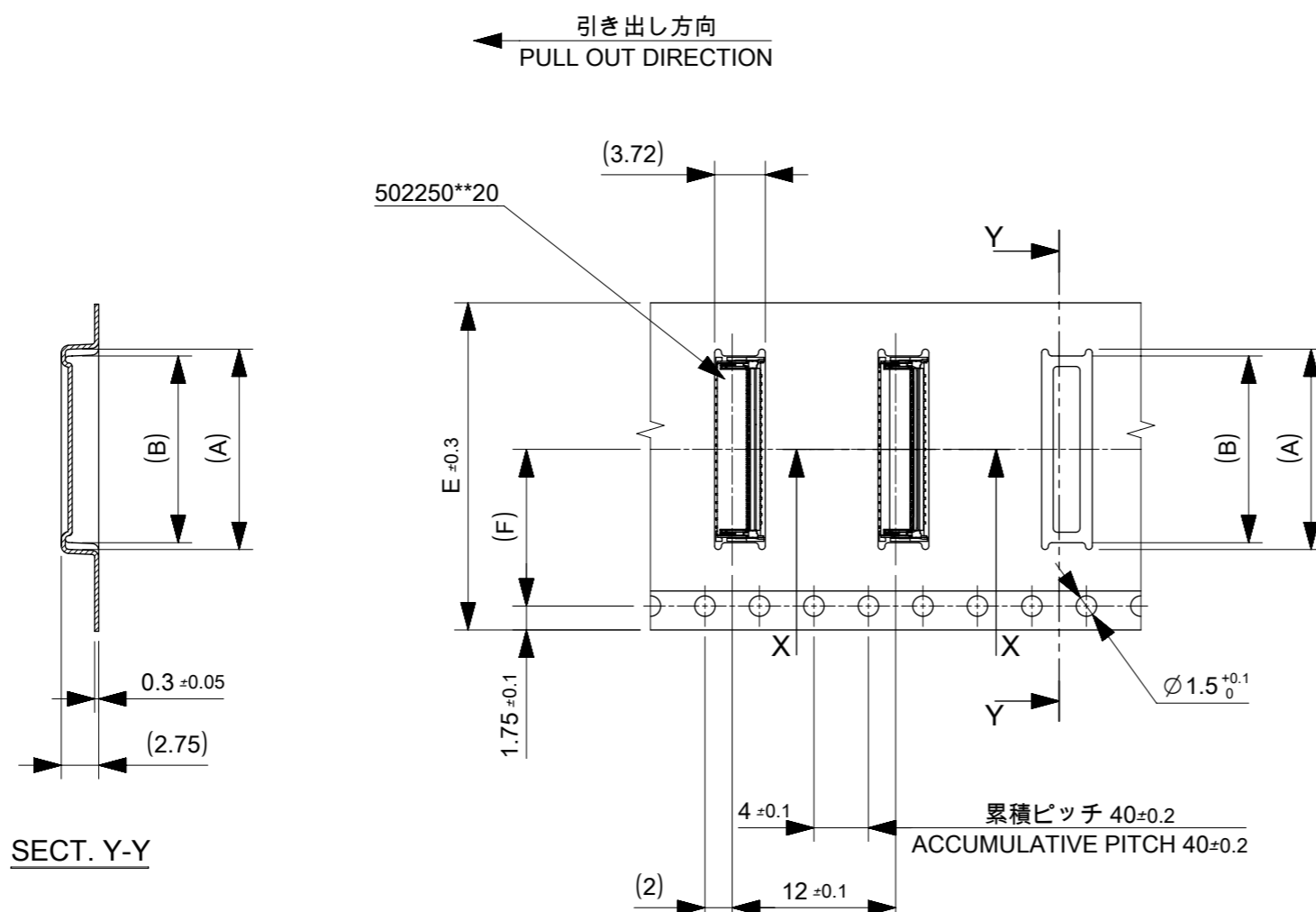
- 製品 (502250**20) の詳細寸法については、
図面 5022501000 DOC.PART 000 をご参照ください
IN THE PACKAGE, PART NO. 502250**20 DETAILED DIMENSIONS,
REFER TO SALES DRAWING NO. 5022501000 DOC.PART 000.
- 梱包数量 : 3000 個 / リル
NUMBER OF CONNECTORS:3000 PCS/REEL
- リ-ドテープ長さ
LEAD TAPE LENGTH



- 材料(MATERIAL)
キャリアテープ(CARRIER TAPE) : ポリスチレン(POLYSTYRENE)
トップテープ(TOP TAPE) : PET, OTHER
リ-ル(REEL) : ポリスチレン(POLYSTYRENE)<リサイクル材を含む>
<RECYCLE MATERIAL CONTAINED>
- ELV 及び RoHS適合品
ELV AND RoHS COMPLIANT.

502250**91 MODEL NO.

THIS DRAWING CONTAINS INFORMATION THAT IS PROPRIETARY TO MOLEX ELECTRONIC TECHNOLOGIES, LLC AND SHOULD NOT BE USED WITHOUT WRITTEN PERMISSION											
EC NO: 104567 DRWN: ABABU01 CHK'D: TKUSUHARA01 APPR: TKUSUHARA01	2016/01/21	2016/05/09	2016/05/09	GENERAL TOLERANCES (UNLESS SPECIFIED)	DIMENSION UNITS	SCALE					
					mm	NTS					
	DRWN BY	DATE			ABABU01	2016/01/21					
	4 PLACES	± 0.2	CHK'D BY		DATE		PRODUCT CUSTOMER DRAWING				
	3 PLACES	± 0.2	KTAKAHASHI								
	2 PLACES	± 0.25	APPR BY		DATE					SERIES	MATERIAL NUMBER
1 PLACE	± 0.3	TKUSUHARA01 2016/05/09		0 PLACES	± 0.3	DRAWING SIZE	THIRD ANGLE PROJECTION	502250	SEE TABLE	GENERAL MARKET	
DRAFT WHERE APPLICABLE MUST REMAIN WITHIN DIMENSIONS					A3			DOCUMENT NUMBER	DOC TYPE	DOC PART	SHEET NUMBER
A	REV							5022500000	PSD	000	1 OF 3



SECT. Y-Y

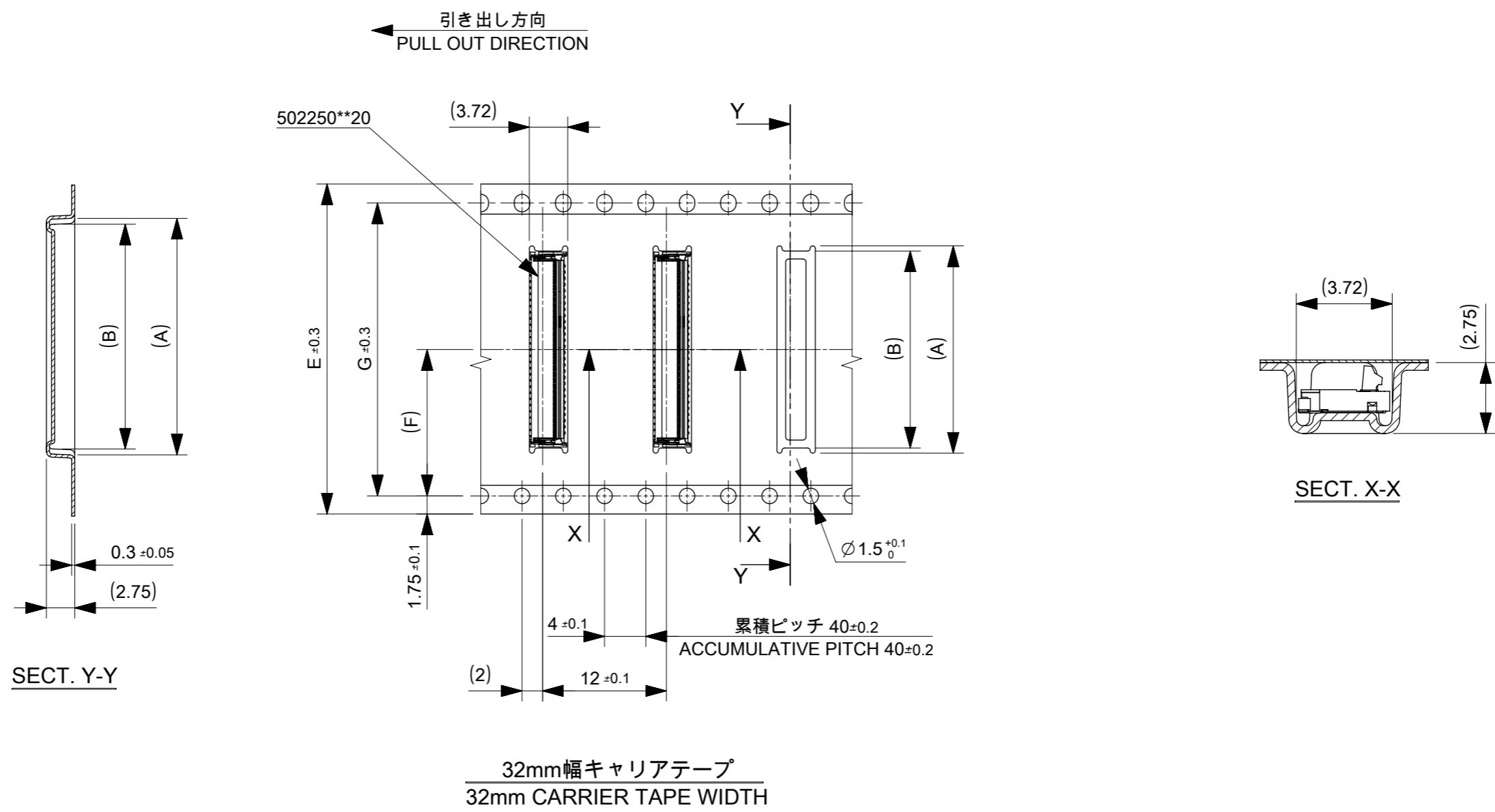
SECT. X-X

24	11.5	24	29.4	25.4	14.3	15.3	5022504191	41
					13.7	14.7	5022503991	39
					12.5	13.5	5022503591	35
					11.9	12.9	5022503391	33
					10.1	11.1	5022502791	27
					8.9	9.9	5022502391	23
					8.3	9.3	5022502191	21
16	7.5	16	21.4	17.4	7.1	8.1	5022501791	17
キャリアテープ幅 CARRIER TAPE WIDTH	(F)	E	D	C	(B)	(A)	製品番号 MATERIAL NO.	極数 CIRCUIT
							MODEL NO.	502250**91

THIS DRAWING CONTAINS INFORMATION THAT IS PROPRIETARY TO MOLEX ELECTRONIC TECHNOLOGIES, LLC AND SHOULD NOT BE USED WITHOUT WRITTEN PERMISSION

EC NO: 104567 DRWN: ABABU01 CHK'D: TKUSUHARA01 APPR: TKUSUHARA01	2016/01/21	GENERAL TOLERANCES (UNLESS SPECIFIED) ANGULAR TOL ± 3.0 ° 4 PLACES ± 0.2 3 PLACES ± 0.2 2 PLACES ± 0.25 1 PLACE ± 0.3 0 PLACES ± 0.3	DIMENSION UNITS	SCALE				
	2016/05/09		mm	NTS				
	2016/05/09		DRWN BY	DATE		0.3 FPC CONN E/O B/F HGT = 0.9MM EMBSTP PKG		
			ABABU01	2016/01/21				
			CHK'D BY	DATE				
			KTAKAHASHI			PRODUCT CUSTOMER DRAWING		
	APPR BY	DATE						
	TKUSUHARA01	2016/05/09	SERIES	MATERIAL NUMBER	CUSTOMER			
			502250	SEE TABLE	GENERAL MARKET			
			DRAWING SIZE	THIRD ANGLE PROJECTION	DOCUMENT NUMBER	DOC TYPE	DOC PART	SHEET NUMBER
			A3		5022500000	PSD	000	2 OF 3

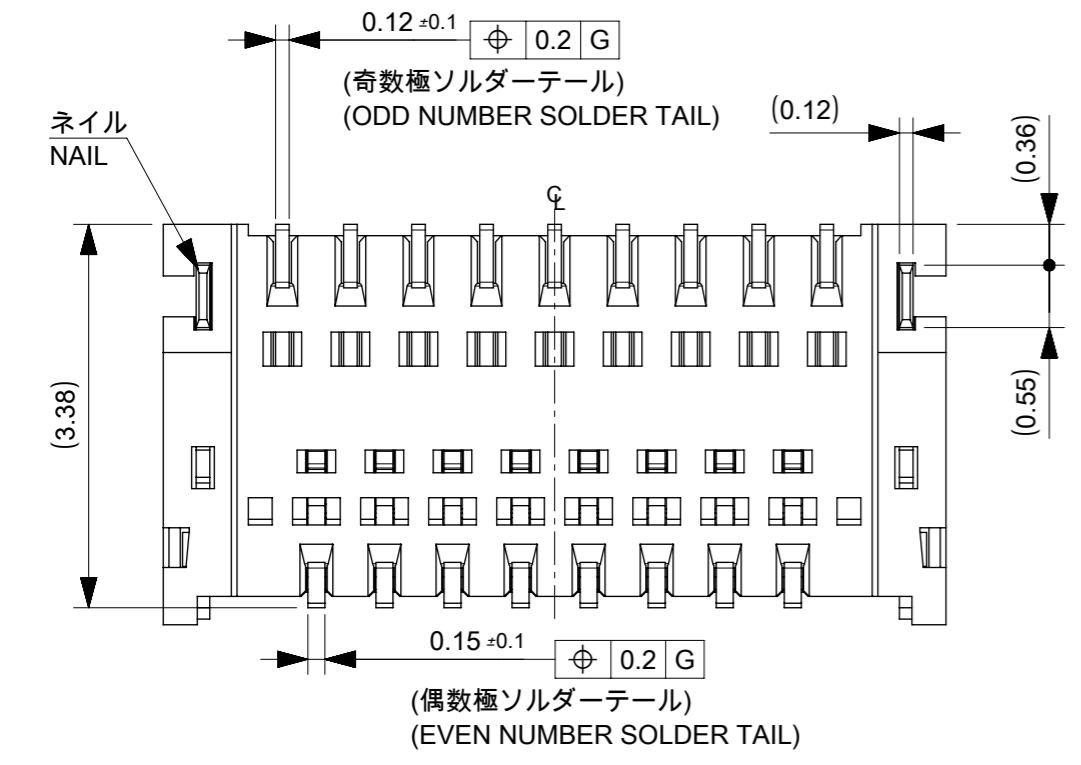
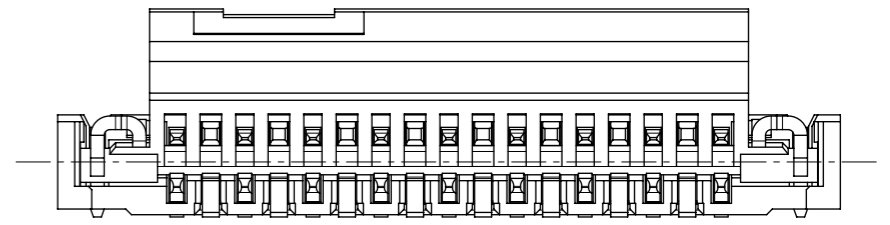
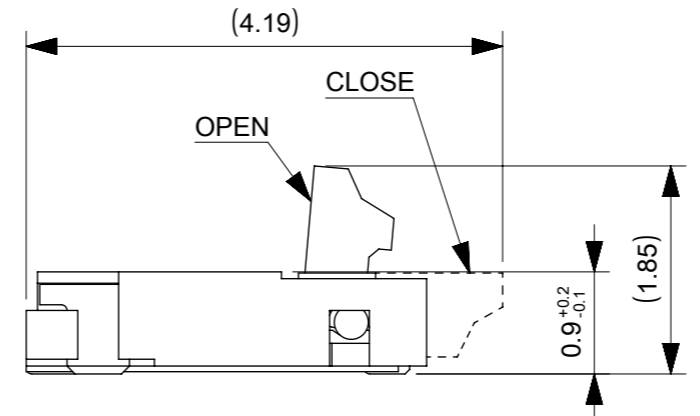
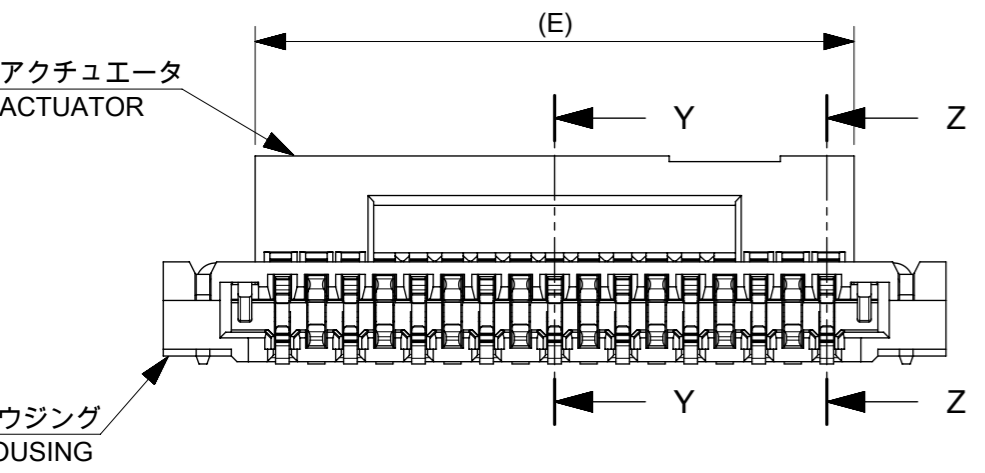
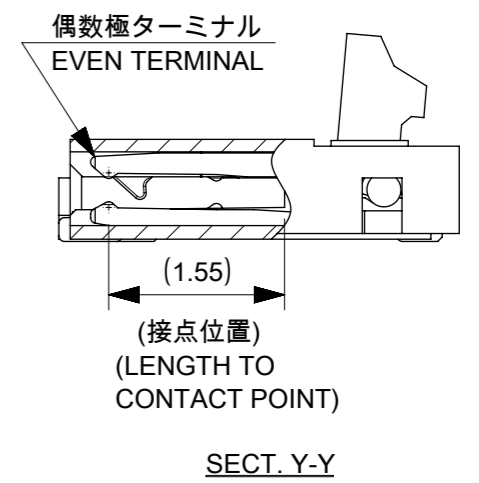
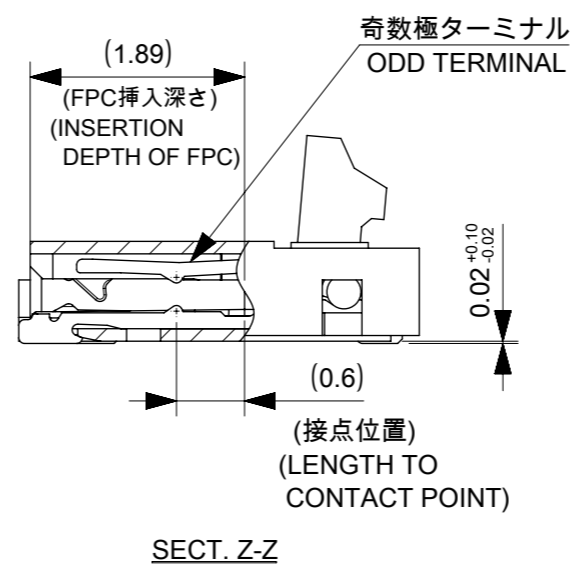
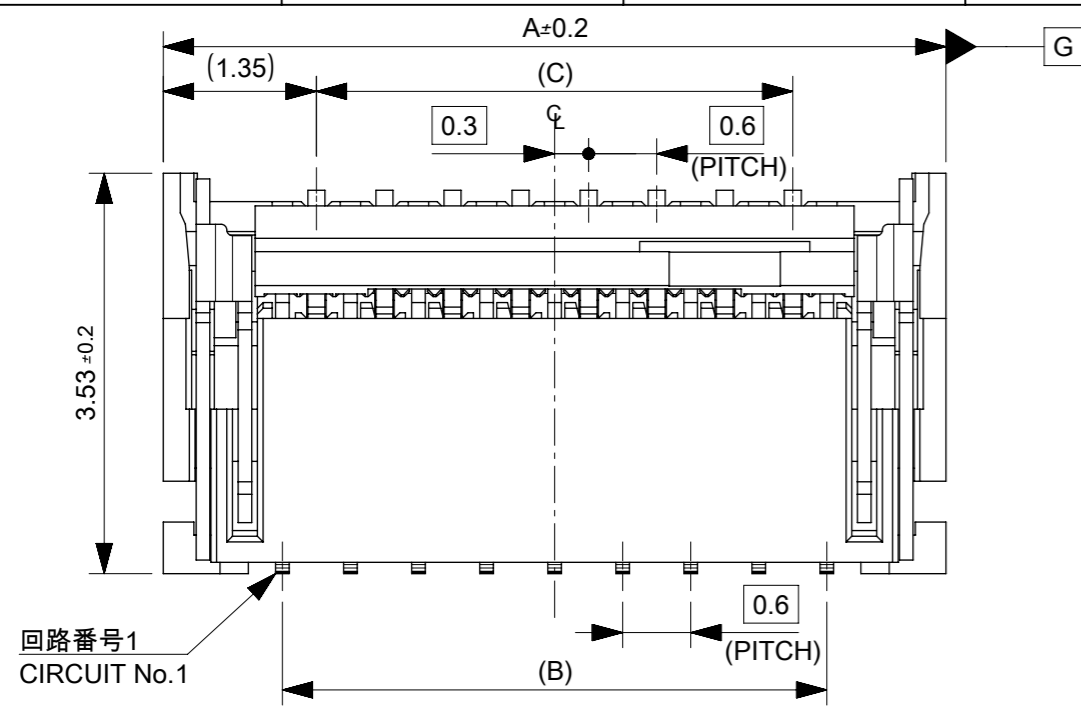
DRAFT WHERE APPLICABLE MUST REMAIN WITHIN DIMENSIONS



32	28.4	14.2	32	37.4	33.4	17.3	18.3	5022505191	51
キャリアテープ幅 CARRIER TAPE WIDTH	G	(F)	E	D	C	(B)	(A)	製品番号 MATERIAL NO.	極数 CIRCUIT
								MODEL NO.	502250**91

THIS DRAWING CONTAINS INFORMATION THAT IS PROPRIETARY TO MOLEX ELECTRONIC TECHNOLOGIES, LLC AND SHOULD NOT BE USED WITHOUT WRITTEN PERMISSION

EC NO: 104567 DRWN: ABABU01 CHK'D: TKUSUHARA01 APPR: TKUSUHARA01	2016/01/21	GENERAL TOLERANCES (UNLESS SPECIFIED) ANGULAR TOL ± 3.0 ° 4 PLACES ± 0.2 3 PLACES ± 0.2 2 PLACES ± 0.25 1 PLACE ± 0.3 0 PLACES ± 0.3	DIMENSION UNITS	SCALE				
	2016/05/09		mm	NTS				
	2016/05/09		DRWN BY	DATE		0.3 FPC CONN E/O B/F HGT = 0.9MM EMBSTP PKG		
			ABABU01	2016/01/21				
			CHK'D BY	DATE				
	KTAKAHASHI		PRODUCT CUSTOMER DRAWING					
	APPR BY	DATE		SERIES	MATERIAL NUMBER	CUSTOMER		
	TKUSUHARA01	2016/05/09	502250	SEE TABLE	GENERAL MARKET			
			DRAWING SIZE	THIRD ANGLE PROJECTION	DOCUMENT NUMBER	DOC TYPE	DOC PART	SHEET NUMBER
			A3		5022500000	PSD	000	3 OF 3



15.3	15.48	15.9	14.4	15.0	17.1	5022505191	5022505120	51
12.3	12.48	12.9	11.4	12.0	14.1	5022504191	5022504120	41
11.7	11.88	12.3	10.8	11.4	13.5	5022503991	5022503920	39
10.5	10.68	11.1	9.6	10.2	12.3	5022503591	5022503520	35
9.9	10.08	10.5	9.0	9.6	11.7	5022503391	5022503320	33
8.1	8.28	8.7	7.2	7.8	9.9	5022502791	5022502720	27
6.9	7.08	7.5	6.0	6.6	8.7	5022502391	5022502320	23
6.3	6.48	6.9	5.4	6.0	8.1	5022502191	5022502120	21
5.1	5.28	5.7	4.2	4.8	6.9	5022501791	5022501720	17
F	E	D	C	B	A	EMBOSSED TAPE PKG. ORDER NO.		MATERIAL No. CIRCUITS

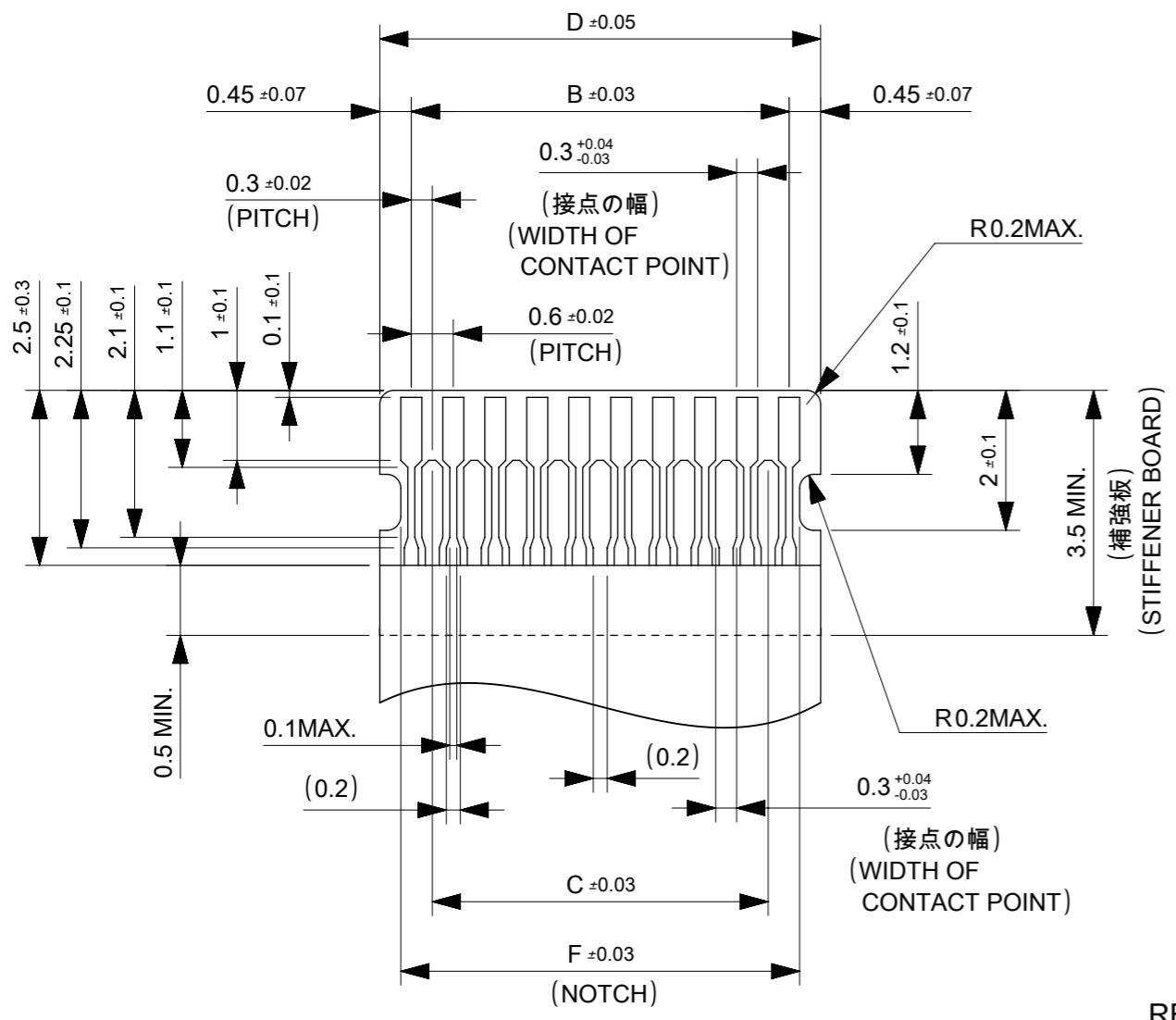
MODEL No. 502250**20

THIS DRAWING CONTAINS INFORMATION THAT IS PROPRIETARY TO MOLEX ELECTRONIC TECHNOLOGIES, LLC AND SHOULD NOT BE USED WITHOUT WRITTEN PERMISSION

EC NO: 111473 DRWN: YMIZUNO02 CHK'D: YKOBAYASHI02 APPR: TKUSUHARA01	2016/05/11	2016/12/14	2016/12/14	GENERAL TOLERANCES (UNLESS SPECIFIED) ANGULAR TOL ± 3.0 ° 4 PLACES ± 0.2 3 PLACES ± 0.2 2 PLACES ± 0.25 1 PLACE ± 0.3 0 PLACES ± 0.3 DRAFT WHERE APPLICABLE MUST REMAIN WITHIN DIMENSIONS	DIMENSION UNITS	SCALE			
					MM	15:1			
					DRWN BY	DATE		RLALSANGI	2016/01/22
					CHK'D BY	DATE		KTAKAHASHI	2016/05/09
					APPR BY	DATE	TKUSUHARA01	2016/05/09	
					DRAWING SIZE	THIRD ANGLE PROJECTION			
					A3				

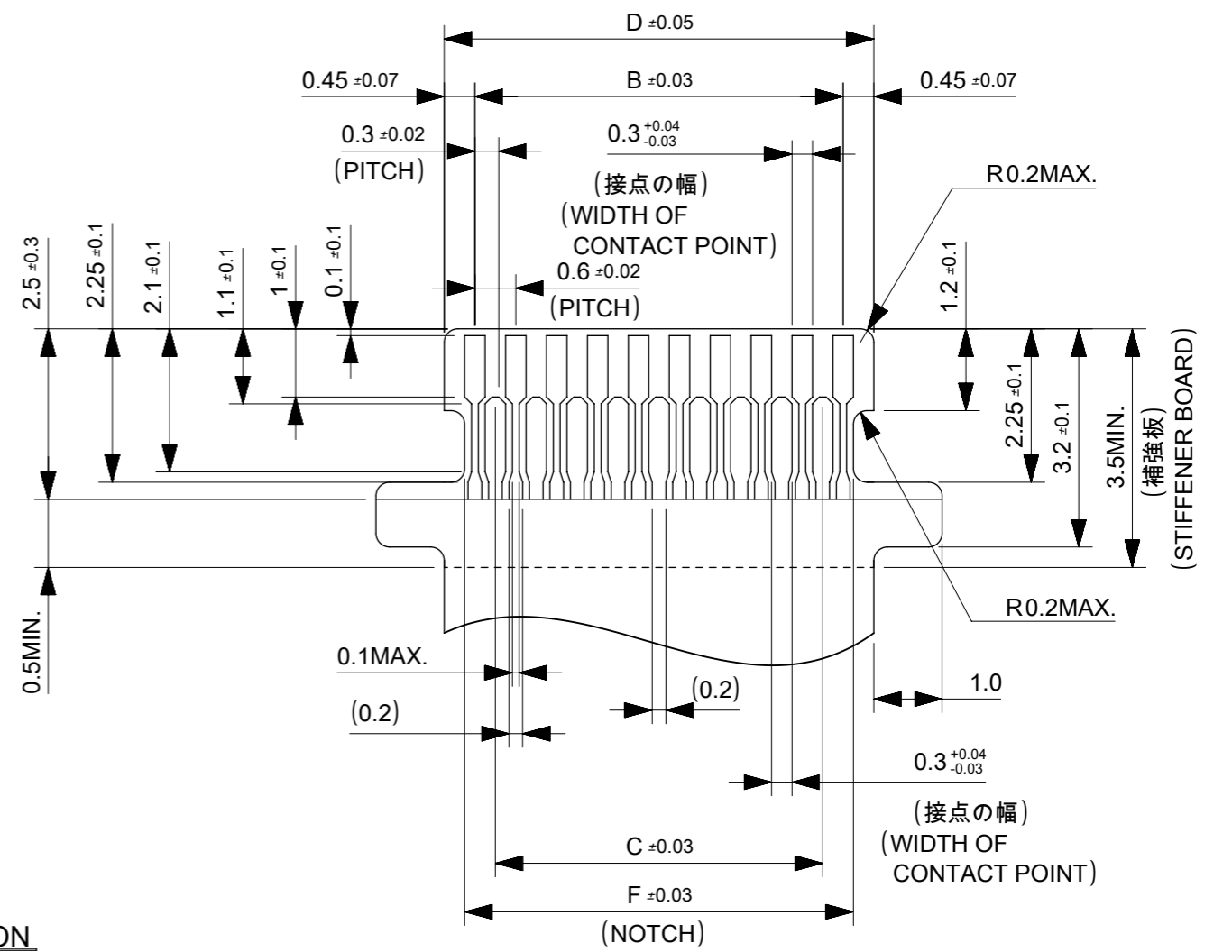
PRODUCT CUSTOMER DRAWING

SERIES	MATERIAL NUMBER	CUSTOMER
502250		GENERAL MARKET
DOCUMENT NUMBER	DOC TYPE	DOC PART
5022501000	PSD	000
SHEET NUMBER		
1 OF 3		

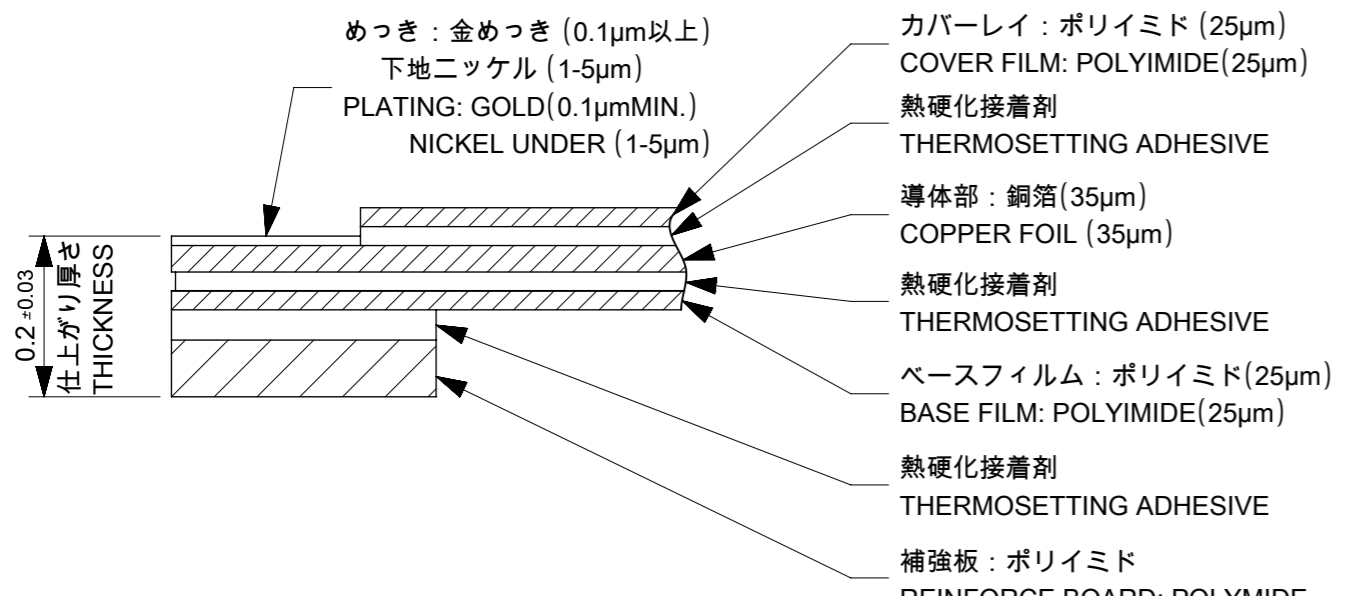


標準 FPC
STANDARD

嵌合FPC推奨寸法
APPLICABLE FPC
RECOMMENDED DIMENSION
(仕上がり厚さ : 0.2±0.03)
(THICKNESS:0.2±0.03)



挿入位置確認用耳つきFPC
WITH EARS FOR FPC INSERTION ALIGNMENT

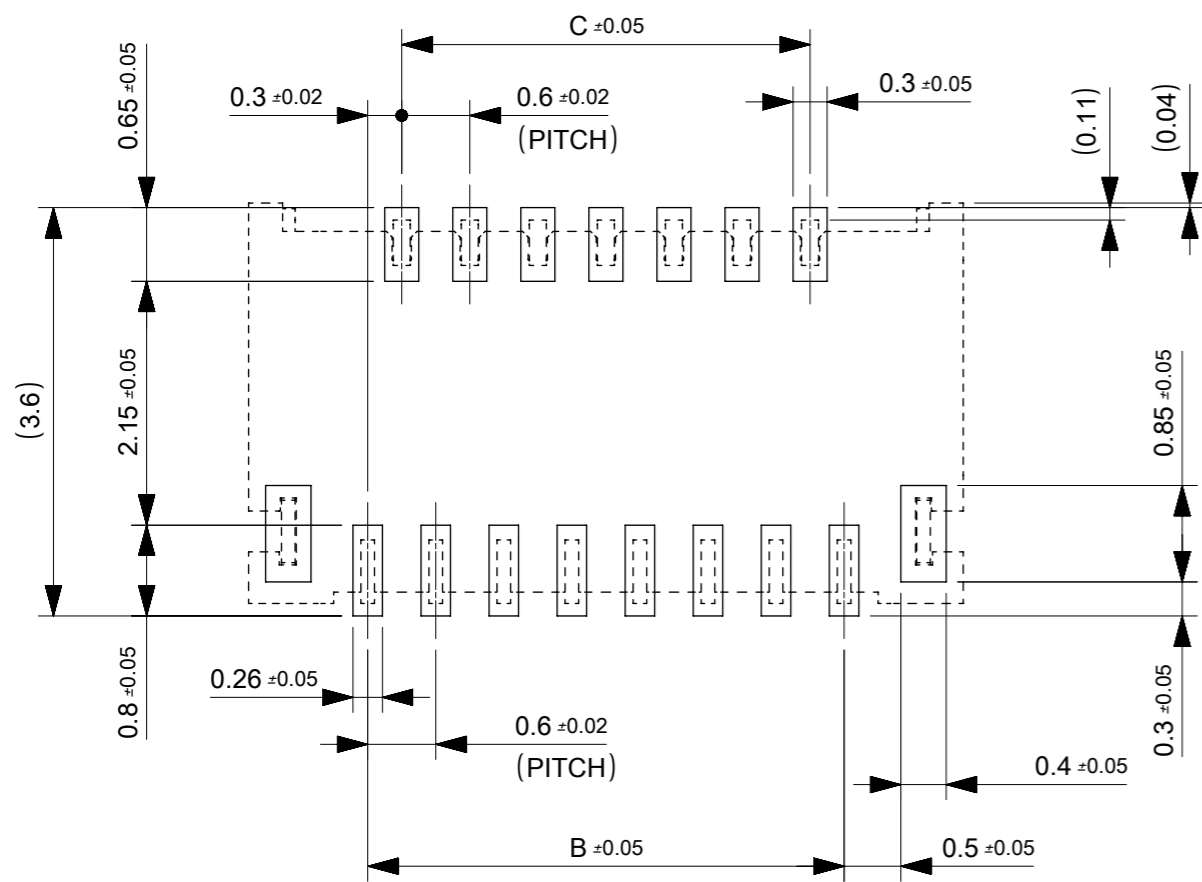


FPC構成推奨仕様
STRUCTURE OF FPC

FPCについて :
抜き方向は、導体側から補強板側を推奨致します。
補強フィルム材質は、ポリイミドを推奨致します。
接着剤は熱硬化接着剤を推奨致します。
尚、接着剤の接点部への付着は導通不良の原因になりますので、
染み出しが無い様、お願い致します。

ABOUT FPC:
RECOMMENDED PUNCHER DIRECTION:
FROM CONDUCTOR SIDE TO STIFFNER FILM SIDE.
RECOMMENDED MATERIAL:
STIFFENER FILM : POLYIMIDE
BONDING AGENT : THERMOSETTING AGENT
PLEASE PUT APPROPRIATE AMOUNT OF ADHESIVE ON ADHEREND
BECAUSE THERE IS A POSSIBILITY THAT THE EXTRA ADHESIVE
CAUSES THE DEFECT IN ELECTRICAL CONTINUITY.

THIS DRAWING CONTAINS INFORMATION THAT IS PROPRIETARY TO MOLEX ELECTRONIC TECHNOLOGIES, LLC AND SHOULD NOT BE USED WITHOUT WRITTEN PERMISSION													
EC NO: 111473 DRWN: YMIZUNO02 CHK'D: YKOBAYASHI02 APPR: TKUSUHARA01	2016/05/11	2016/12/14	2016/12/14	GENERAL TOLERANCES (UNLESS SPECIFIED)	DIMENSION UNITS	SCALE							
					MM	10:1							
					DRWN BY	DATE						RLALSANGI	2016/01/22
					CHK'D BY	DATE						KTAKAHASHI	2016/05/09
					APPR BY	DATE						TKUSUHARA01	2016/05/09
				DRAFT WHERE APPLICABLE MUST REMAIN WITHIN DIMENSIONS	DRAWING SIZE	THIRD ANGLE PROJECTION	PRODUCT CUSTOMER DRAWING						
					A3		SERIES	MATERIAL NUMBER	CUSTOMER				
							502250		GENERAL MARKET				
							DOCUMENT NUMBER	DOC TYPE	DOC PART	SHEET NUMBER			
							5022501000	PSD	000	2 OF 3			



推奨基板レイアウト図(マウント面)
P.C BOARD PATTERN
RECOMMENDED DIMENSION
(MOUNTING AREA)

推奨メタルマスク開口率について
開口率 : 推奨パターン面積の100%
ABOUT METAL MASK SPECIFICATION
RECOMMEND APERTURE RATE : 100%

注記 NOTES

1. 使用材料 MATERIAL
ハウジング : 液晶ポリマー ガラス充填 UL94V-0 (ナチュラル)
HOUSING : LIQUID CRYSTAL POLYMER (GLASS FILLED)
UL94V-0(COLOR:NATURAL)
アクチュエータ : ポリフェニレンサルファイド ガラス充填 UL94V-0 (黒)
ACTUATOR : POLYPHENYLENE SULFIDE (GLASS FILLED)
UL94V-0(COLOR:BLACK)
ターミナル : 銅合金,ニッケル下地部分金メッキ (接触部及びテール部)
TERMINAL : COPPER ALLOY,
PARTLY GOLD(CONTACT,TAIL) OVER NICKEL PLATING
ネイル : リン青銅,ニッケル下地錫めっき
FITTING NAIL : PHOSPHOR-BRONZE, TIN OVER NICKEL PLATING
2. ソルダーテール半田付け面,及びネイル半田付け面の平坦度 : 0.1mmMAX.
COPLANARITY OF SOLDER TAILS AND FITTING NAILS
TO BE 0.1mm MAX.
3. 基板実装前にアクチュエータを操作しないで下さい。
PLEASE DO NOT OPERATE THE ACTUATOR BEFORE MOUNTING.
必ず基板に実装し,FPCを挿入してからアクチュエータを操作して下さい。
PLEASE OPERATE THE ACTUATOR AFTER MOUNTING ON
THE SUBSTRATE,AND MATING FPC.
4. 推奨メタルマスク RECOMMENDED METAL MASK SPECIFICATION
マスク厚 : 0.1mm MASK THICKNESS : 0.1mm
なお,貴社にて上記以外でご使用頂く場合は,事前に確認頂きますようお願い致します。
WHEN USE IT OTHER THAN THE ABOVE IN YOUR COMPANY,
PLEASE CONFIRM IT BEFOREHAND.
5. ELV 及び RoHS適合品
ELV AND RoHS COMPLIANT.

THIS DRAWING CONTAINS INFORMATION THAT IS PROPRIETARY TO MOLEX ELECTRONIC TECHNOLOGIES, LLC AND SHOULD NOT BE USED WITHOUT WRITTEN PERMISSION

EC NO: 111473 DRWN: YMIZUNO02 CHK'D: YKOBAYASHI02 APPR: TKUSUHARA01	2016/05/11	2016/12/14	2016/12/14	GENERAL TOLERANCES (UNLESS SPECIFIED) ANGULAR TOL ± 3.0 ° 4 PLACES ± 0.2 3 PLACES ± 0.2 2 PLACES ± 0.25 1 PLACE ± 0.3 0 PLACES ± 0.3 DRAFT WHERE APPLICABLE MUST REMAIN WITHIN DIMENSIONS	DIMENSION UNITS	SCALE				
					MM	10:1				
					DRWN BY	DATE	0.3 FPC CONN E/O B/F HSG ASSY HGT=0.9MM			
					RLALSANGI	2016/01/22				
					CHK'D BY	DATE				
			KTAKAHASHI	2016/05/09	PRODUCT CUSTOMER DRAWING					
			APPR BY	DATE	SERIES	MATERIAL NUMBER	CUSTOMER			
			TKUSUHARA01	2016/05/09	502250		GENERAL MARKET			
			DRAWING SIZE	THIRD ANGLE PROJECTION	DOCUMENT NUMBER		DOC TYPE	DOC PART	SHEET NUMBER	
			A3		5022501000		PSD	000	3 OF 3	